

PLx2VV

Item No: 500000001130



The PLx2VV optical expander doubles the focal length of Vista Vision Format PL mount lenses. The extender is the sequel to our successful PLx2 adapter. Thanks to its compact optical and mechanical design, the PLx2 VV is compatible with a wide range of lenses.

The PLx2VV features high-index, low-dispersion glass to ensure the highest possible resolution and contrast with minimal optical degradation.

In doubling the image size, the transmitted light is spread over 4 times the area, decreasing the brightness by two f-stops. To create an optical design that is optimized for modern lenses and digital cameras, the maximum input T-Stop is 1.9.

The PLx2VV is designed to mount to any digital cinema camera with a native PL mount. The UMS Mount System makes it easy to change the mount to Canon EF, Sony E or others without re-shimming.

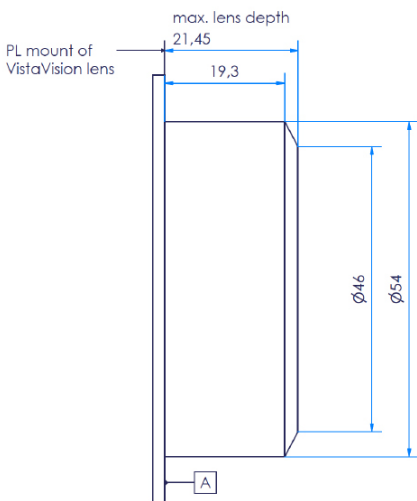


TECHNICAL DATA

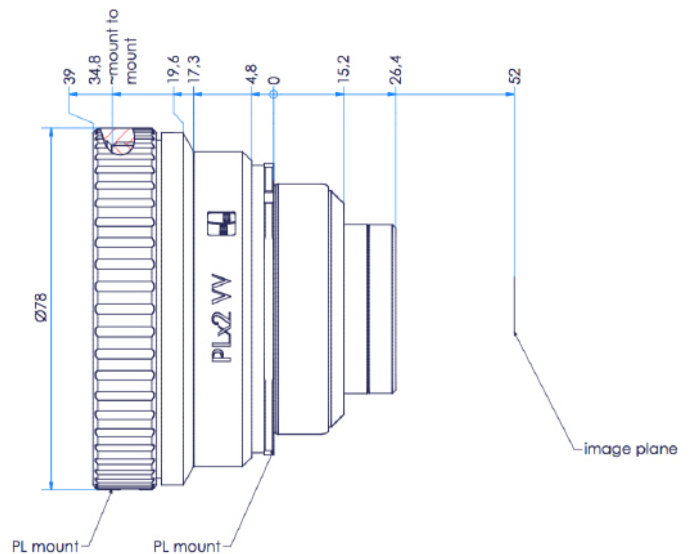
Max. Image Diameter (mm)	46.4
Magnification	x2
Max. Input T-Stop	1.9
Light Drop (Stops)	2.0
Lens Mount	PL Standard

Camera Mount	PL UMS Mount*
Diameter (mm)	78.0
Length (mm) PL to PL	34.8
Weight (kg)	0.5

* without F and MFT Mount and E Mount with assembled inner ring



III. 1: max. measurements of input lens



III. 2: dimensional drawing

